

CTT 231-10 TS23

Technical Specifications

1	TECHNICAL SPECIFICATIONS
2	CRANE CLASSIFICATION
3	LOAD HANDLING DEVICES
4	WORK ENVIRONMENT
5	MAIN CRANE COMPONENTS
5.1	DRIVE ASSEMBLIES (GENERAL INFORMATION)

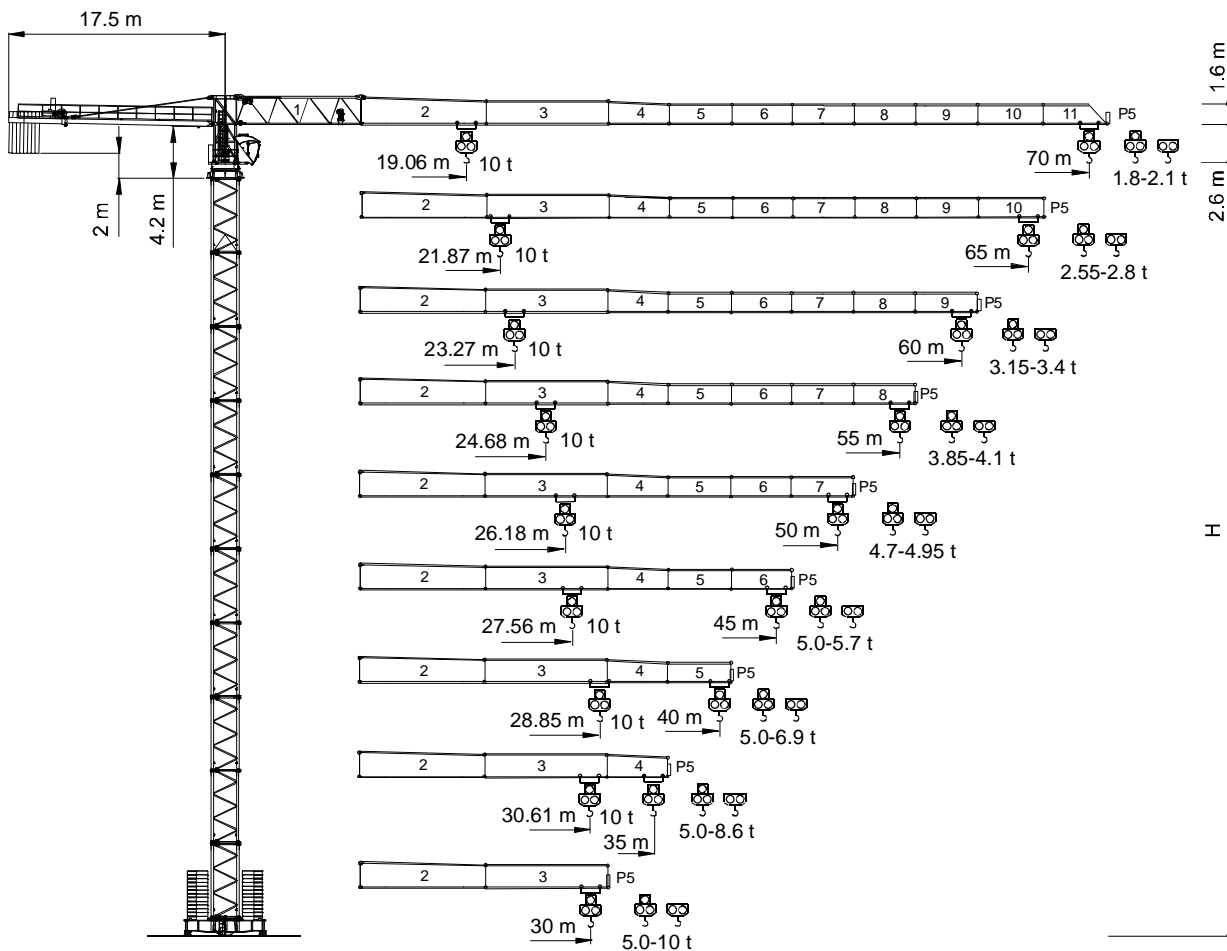
Section 2



Gru a torre "Flat Top"

"Flat Top" Tower Crane • Grue à tour "Flat Top"

"Flat Top" Turmdrehkran • Grúa torre "Flat Top"



CE FEM 1.001 A3

In vigore dal: 01 gennaio 2007. Le specifiche del prodotto ed i prezzi sono soggetti a modifica senza alcun obbligo di preavviso. Le fotografie e/o disegni nel presente documento hanno uno scopo meramente illustrativo. Per il corretto utilizzo di ciascuna attrezzatura, si rimanda allo specifico manuale d'istruzioni. L'inosservanza di quanto previsto nel manuale d'istruzione nell'utilizzo dell'attrezzatura, così come un comportamento irresponsabile potrebbero cagionare gravi lesioni o il decesso. Le nostre attrezzature sono coperte solo ed esclusivamente dalla garanzia *standard* scritta prevista per ogni specifico prodotto, con esclusione di qualsivoglia ulteriore garanzia, sia tacita che espressa, da parte di Terex. I prodotti e servizi elencati possono essere marchi di fabbrica, di servizi o ragioni sociali appartenenti a Terex Corporation e/o alle sue affiliate operative sia negli USA che in altri paesi e tutti i diritti s'intendono riservati. "TEREX" è un marchio appartenente a Terex Corporation e registrato sia negli USA che in altri paesi. Copyright © 2007 Terex Corporation.

Effective Date: January 01, 2007. Product specifications and prices are subject to change without notice or obligation. The photographs and/or drawings in this document are for illustrative purposes only. Refer to the appropriate Operator's Manual for instructions on the proper use of this equipment. Failure to follow the appropriate Operator's Manual when using our equipment or to otherwise act irresponsibly may result in serious injury or death. The only warranty applicable to our equipment is the standard written warranty applicable to the particular product and sale and Terex makes no other warranty, express or implied. Products and services listed may be trademarks, service marks or trade-names of Terex Corporation and/or its subsidiaries in the USA and other countries and all rights are reserved. "TEREX" is a registered trademark of Terex Corporation in the USA and many other countries. Copyright © 2007 Terex Corporation.

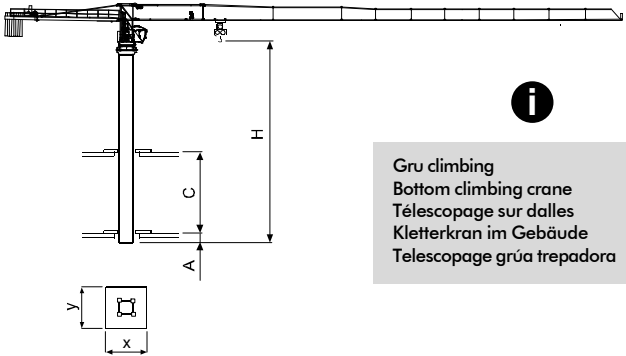
UTEDOC. REV.001

CTT 231-10 TS23

Diagramma di portata (I) **Courbes de charges** (F) **Curvas de cargas** (E)
Load Diagram (GB) **Lastkurven** (D)

		CTT 231-10											
		20	25	30	35	40	45	50	55	60	65	70	
5 t	- 35,58 m	5,0	5,0	5,0	5,0	4,34	3,76	3,29	2,91	2,59	2,33	2,10	
5 t	- 33,88 m	5,0	5,0	5,0	4,80	4,04	3,46	2,99	2,61	2,29	2,03	1,80	
10 t	- 19,06 m	9,45	7,26	5,82	4,80	4,04	3,46	2,99	2,61	2,29	2,03	1,80	
5 t	- 40,67 m	5,0	5,0	5,0	5,0	5,0	4,43	3,90	3,46	3,10	2,80		
5 t	- 39,13 m	5,0	5,0	5,0	5,0	4,87	4,19	3,66	3,22	2,86	2,55		
10 t	- 21,87 m	10,0	8,56	6,91	5,74	4,87	4,19	3,66	3,22	2,86	2,55		
5 t	- 43,62 m	5,0	5,0	5,0	5,0	5,0	4,82	4,25	3,79	3,40			
5 t	- 41,84 m	5,0	5,0	5,0	5,0	5,0	4,57	4,0	3,54	3,15			
10 t	- 23,27 m	10,0	9,21	7,45	6,21	5,28	4,57	4,0	3,54	3,15			
5 t	- 46,53 m	5,0	5,0	5,0	5,0	5,0	5,0	4,59	4,10				
5 t	- 44,58 m	5,0	5,0	5,0	5,0	5,0	4,94	4,34	3,85				
10 t	- 24,68 m	10,0	9,85	7,99	6,68	5,70	4,94	4,34	3,85				
5 t	- 49,57 m	5,0	5,0	5,0	5,0	5,0	5,0	4,95					
5 t	- 47,51 m	5,0	5,0	5,0	5,0	5,0	5,0	4,70					
10 t	- 26,18 m	10,0	10,0	8,56	7,17	6,14	5,34	4,70					
5 t	- 45,00 m	5,0	5,0	5,0	5,0	5,0	5,00						
5 t	- 45,00 m	5,0	5,0	5,0	5,0	5,0	5,00						
10 t	- 27,56 m	10,0	10,0	9,09	7,63	6,54	5,70						
5 t	- 40,00 m	5,0	5,0	5,0	5,0	5,0							
5 t	- 40,00 m	5,0	5,0	5,0	5,0	5,0							
10 t	- 28,85 m	10,0	10,0	9,57	8,04	6,90							
5 t	- 35,00 m	5,0	5,0	5,0	5,00								
5 t	- 35,00 m	5,0	5,0	5,0	5,00								
10 t	- 30,61 m	10,0	10,0	10,0	8,60								
5 t	- 30,00 m	5,0	5,0	5,0									
5 t	- 30,00 m	5,0	5,0	5,0									
10 t	- 30,00 m	10,0	10,0	10,0									

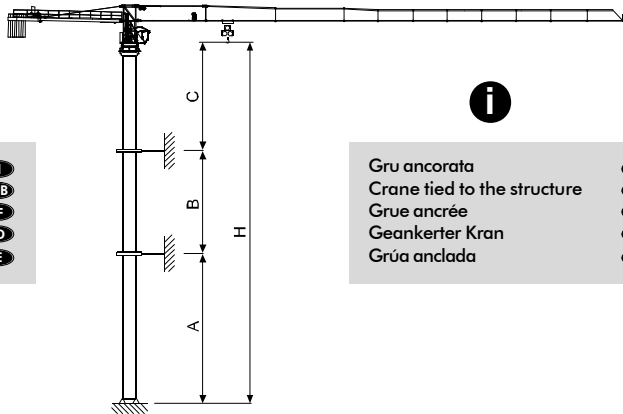
Altre installazioni (I) **Autres implantations** (F) **Otras implantaciones** (E)
Other configurations (GB) **Aufstellmöglichkeiten** (D)



i

Gru climbing
 Bottom climbing crane
 Télescopage sur dalles
 Kletterkran im Gebäude
 Telescopage grúa trepadora

(I) (GB) (F) (D) (E)



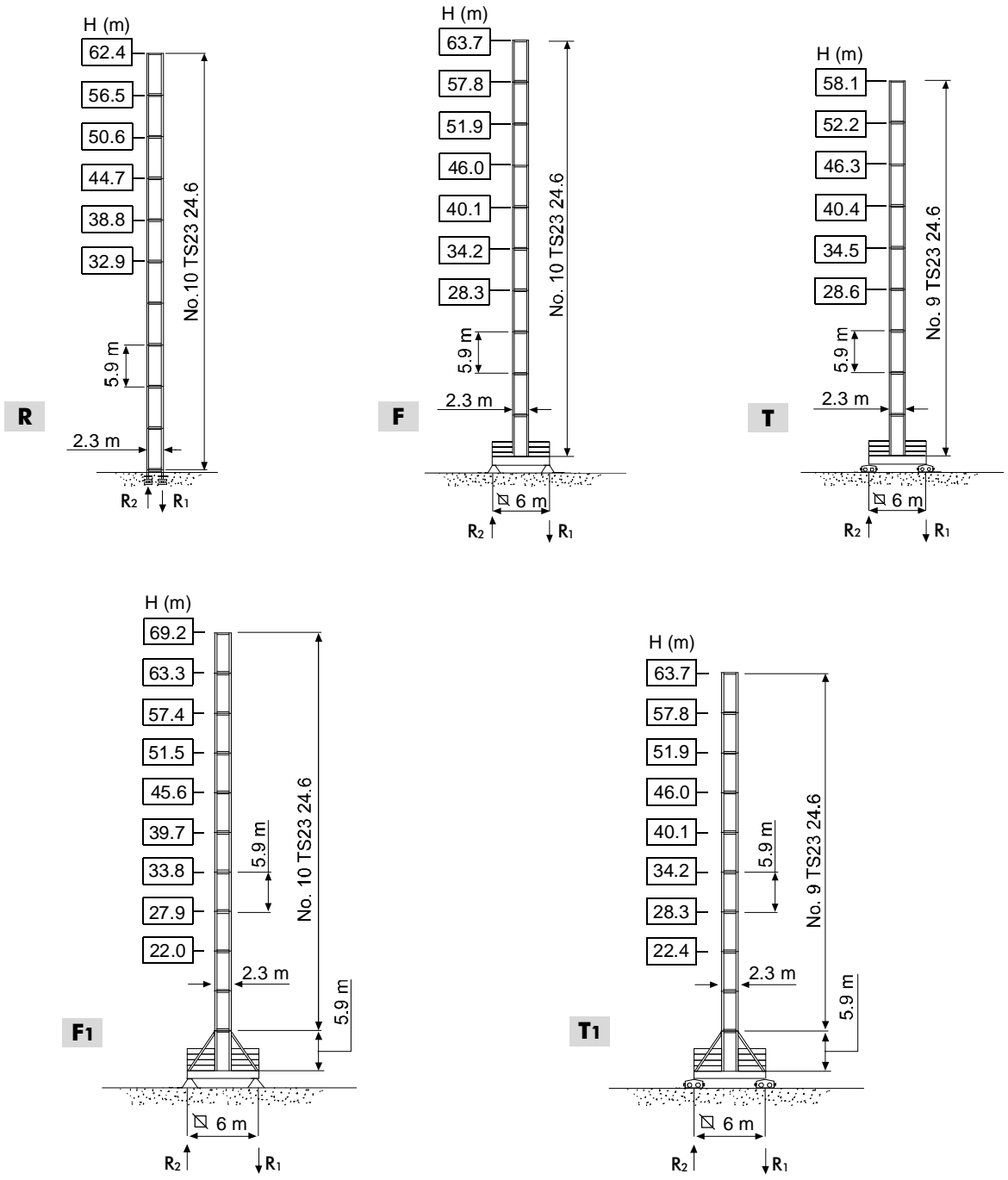
i

Gru ancorata
 Crane tied to the structure
 Grue ancrée
 Geankerter Kran
 Grúa anclada

(I) (GB) (F) (D) (E)

Torre **I** Tour **F** Torre **E**
 Tower **GB** Turm **D**

TS23



Altezza massima sotto gancho	I	
Max. under hook height	GB	
H	Hauteur maxi. sous crochet	F
Höchste Hackenhöhe	D	
Maxima altura bajo gancho	E	

Meccanismi I Mechanisms GB Mécanismes F Antriebe D Mecanismos E

37 AFC 50	86 * kVA	400 V - 50 Hz / 460 V - 60 Hz
		2000/14/C modificata

* Gru senza traslazione / Crane without travelling equipment / Grue sans translation / Krane ohne Schienenfahren / Grúa sin traslación

		m/min	↑	kW	
	37 AFC 50 (VECTOR)	0 ⇒ 2	5	37	527 m
		2 ⇒ 8	5		
		8 ⇒ 33	5		
		33 ⇒ 66	2.2		
		66 ⇒ 92	0.9		
		0 ⇒ 1	10		
		1 ⇒ 4	10		
		4 ⇒ 16	10		
		16 ⇒ 33	4.4		
		33 ⇒ 46	1.8		

	DVF 3 6	0 ⇒ 37 ⇒ 74 m/min	5.5 kW
	SCC 2 2 112 L	0.88 r.p.m.	2 x 15 kW
	TSR 2RG 4M8	12 ⇒ 24 m/min (50 Hz) 14 ⇒ 28 m/min (60 Hz)	4 x 80 Nm
	I		

	I Sollevamento	GB Hoisting	F Heben	D Elevación	E
	Traslazione carrello	Trolleying	Distribution	Katzfahren	Distribución
	Rotazione	Slewing	Orientation	Schwenken	Orientación
	Traslazione	Travelling	Translation	Schienenfahren	Traslación
	Direttiva sul livello acustico	Directive on noise level	Directive sur le niveau acoustique	Richtlinie für den Schall-Leistungspegel	Directiva sobre el nivel acustico
	Consultateci	Consult us	Nous consulter	Auf Anfrage	Consultarnos
	Potenza totale richiesta	Power requirements	Puissance totale nécessaire	Geforderte Stromstärke	Potencia necesaria
	Alimentazione	Power supply	Alimentation	Stromversorgung	Alimentación

Gru Comedil s.r.l.

A Terex Company



Via Delle Innovazioni 17, 33074 Fontanafredda (PN) - Italy
Tel. (+39) 0434 989 111 - Telefax (+39) 0434 998631

Internet e-mail: info@comedil.com
Internet home page: www.comedil.com

Divisione Automontanti

Via Alessandrina, 25 - 20095 Cusano Milanino (MI) - Italy
Tel. (+39) 02 613 16011 - Telefax (+39) 02 613 16034

Internet e-mail: info.CBR@comedil.com

2

CRANE CLASSIFICATION

Standards for structural calculations of the crane:

FEM 1.001

Machine grade:

A3 (A2 for jibs)

Standards for the electrical components:

CEI - EN 60204 - 32

3

LOAD HANDLING DEVICES

10 t (22050 lbs) - Hook UNI EN 1677-1/6:2002 / DIN 15401 1/2

4



WORK ENVIRONMENT

- Working temperature: **0 °C ➔ 40 °C** (upon the customer’s request, cranes withstanding temperatures up to -20 °C can be supplied)
- Maximum relative humidity: **90%**
- Maximum wind speed:

<u>during assembly</u>	14	m/s	(~50 km/h)
<u>in service</u>	20	m/s	(~72 km/h)
<u>out of service</u>	42	m/s	(~150 km/h)



U.S. Customery units

- Working temperature: **32 °F ➔ 104 °F** (upon the customer’s request, cranes withstanding temperatures up to -4 °F can be supplied)
- Maximum relative humidity: **90%**
- Maximum wind speed:

<u>during assembly</u>	46	ft/s	(~31 mph)
<u>in service</u>	66	ft/s	(~45 mph)
<u>out of service</u>	138	ft/s	(~93 mph)

- Maximum front surface:

the maximum admitted surface exposed to the wind in correspondence of the full load allowed at a certain jib length during hoisting is obtained by the ratio:

$$A = \frac{0.03 \times P}{q \times 1.2} \quad \text{where}$$

A = Front surface exposed to the wind [m²]
P = Weight of the load hanging from the hook [daN]
q = Pressure factor = $\frac{v^2}{16}$ [daN/m²]
v = Wind speed [m/s]

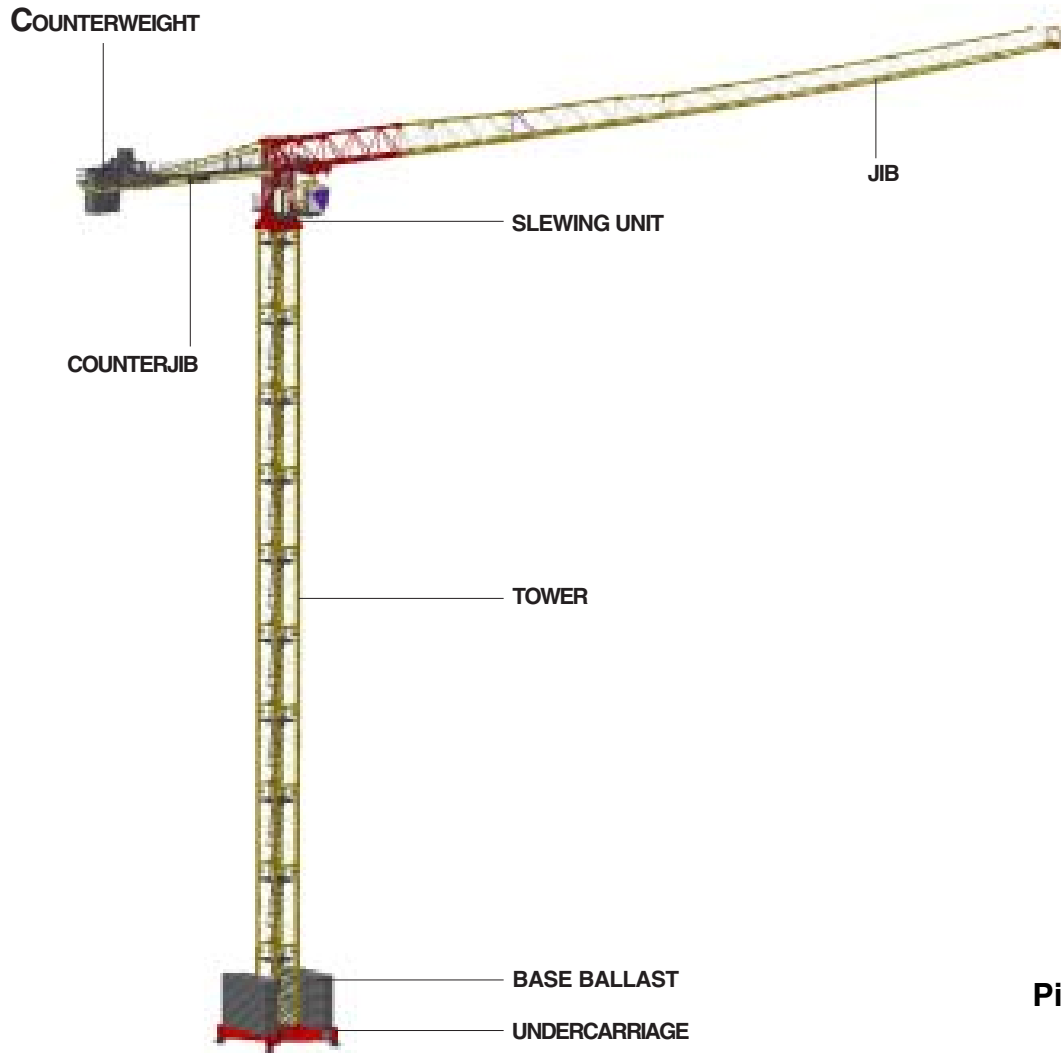


WARNING

The crane cannot be used in an explosive work environment or a work environment subject to fire risks. Also it cannot be operated in a work environment where flameproof devices are required.

5

MAIN CRANE COMPONENTS



Picture 5.1

Undercarriage

Available with the following installations:

“F” fixed base on undercarriage and 4 base plates with base ballast placed on the undercarriage;

“T” ballasted travelling platform mounted on trucks that ride along rails.

Base ballast

It consists of self-supporting blocks made of reinforced concrete that uniformly distribute their weight on the structure of the undercarriage and therefore on the base supports.

TS23 Tower

All tower sections are made of HEM-sectioned stanchions while the diagonals are made of round-hollow bars; lugs, specifically designed for the tower raising by top climbing unit, are welded externally on one side. All elements are equipped with platforms and aluminium ladders.

The tower denominations must be interpreted as follows:

example:

TS 23 24.6 : *TS type tower element > width 23 dm (8 ft) > stanchion thickness = 24 mm (1 in.) > height 6 m (20 ft) approx.*

Counterjib and counterweight

Made of 2 platforms joined together with pins:

Platform 1A, where the counterjib tie-bars are connected;

Platform 2A, a structure bearing the hoisting winch and the counterweights.

It is equipped with side catwalks protected by handrails for the operators' safety.

There are two types of counterweights (all made of self-supporting reinforced concrete blocks or, on request, contained by a steel frame).

The quantity and composition vary according to the length of the jib as specified in **section 3B "Counterweights"** of the crane operation manual.

Slewing unit

It consists of a lower slewing ring support (connected to the tower) and a motorized upper slewing ring support (which rotates together with the upper part of the crane) with the slewing ring placed in the middle.

The cab section is placed above the upper slewing ring support, where the jib and counterjib are connected.

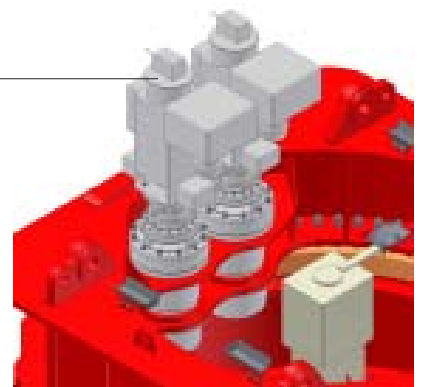
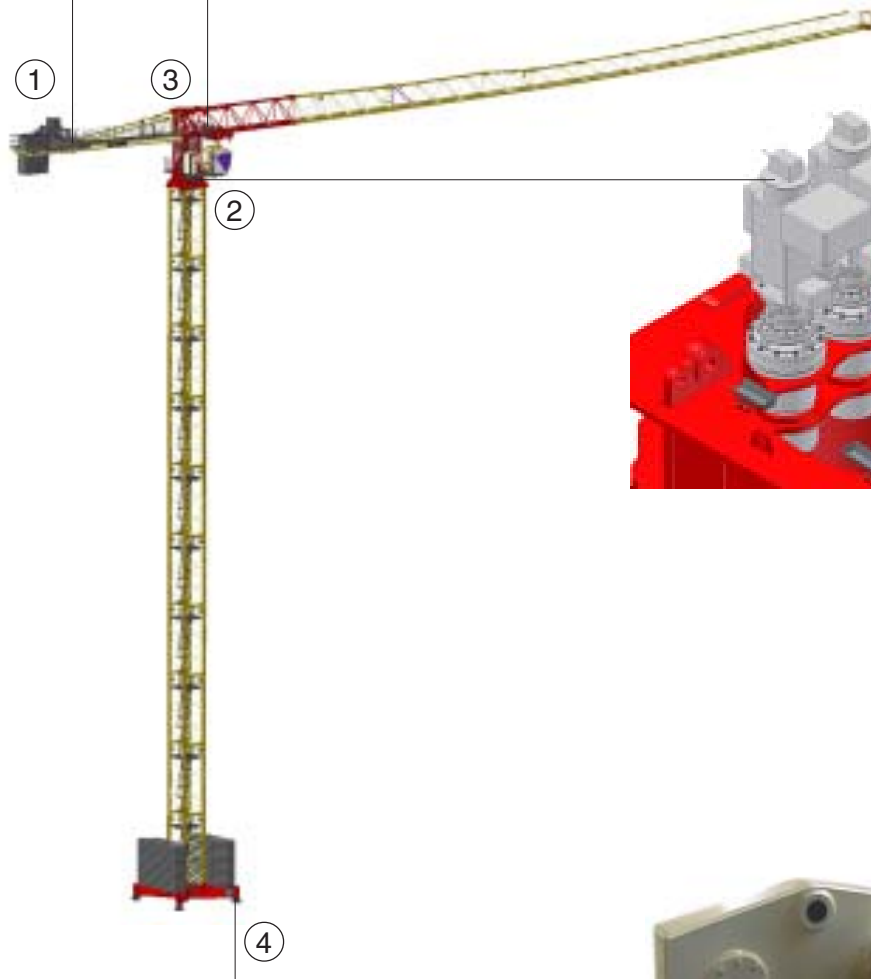
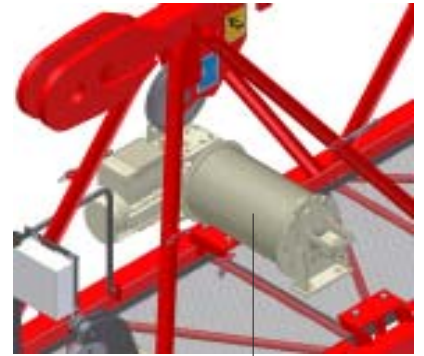
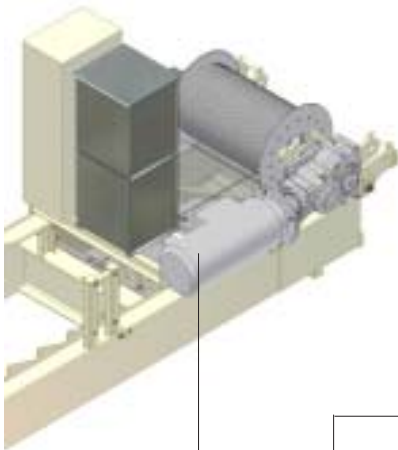
Jib

Self-supporting type, it does not need tie-bars and it is made of 11 triangular-section elements and a jib tip (for maximum jib extension 70 m / 230 ft).

The diagonals are made of round-hollow bars; the upper and lower longitudinal spars are made of square-hollow bars or of square-hollow sections.

It is equipped with a safety cable (for the whole length of the jib) thus allowing the crane operators and maintenance engineers to fasten themselves with the special safety belt when walking along it.

5.1 DRIVE ASSEMBLIES (GENERAL INFORMATION)



- 1) HOIST WINCH
- 2) SLEWING UNIT
- 3) TROLLEY TRAVERSING WINCH
- 4) TRAVELLING UNIT

- ➔ See **section 9** for technical specifications.
- ➔ See **section 13** for technical specifications.
- ➔ See **section 10** for technical specifications.
- ➔ See **section 12** for technical specifications.